

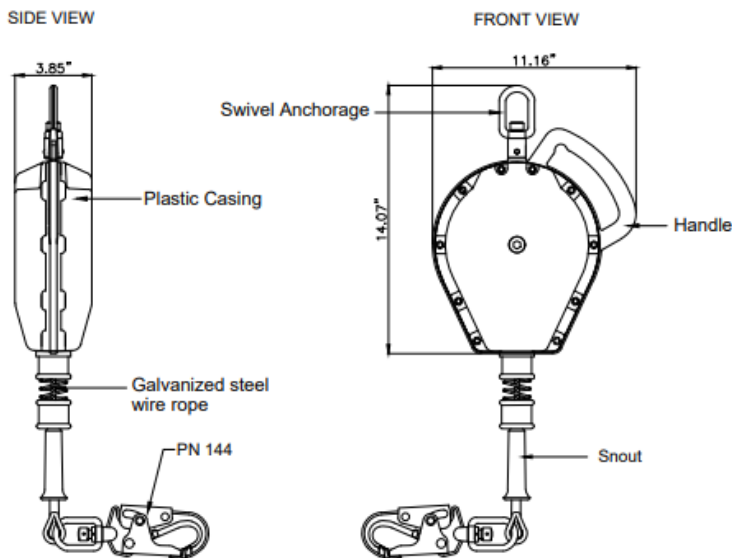
RTZG50S

50' SRL TAGLINE

The Ritz Fall Protection is designed to provide a high level of safety and protection for workers who are operating at height. The 50' SRL has been engineered to withstand tough conditions. Allows workers to move around freely without having to worry about being restricted by the equipment. Reliable and high-quality fall protection equipment.

FEATURES

- Made of metal wire guide that lasts longer, improves the SRLs performance and reduce maintenance costs
- Robust & durable plastic casing
- Swivel anchorage designed to provide maximum mobility and flexibility without the need for a fall indicator
- The 50' SRL also comes with a swivel snap hook equipped with a load indicator
- Wire rope made of galvanized steel
- Withstands significant weight and pressure



STANDARDS

Conforms to ANSI Z359.14-2021 Class 1

TECH SPECS

Wire Guide Material	Metal Wire Guide
Cable Material	Galvanized steel wire rope Ø3/16"
Casing Material	Plastic
Metal Material	Steel
Weight Capacity	ANSI 310lbs / OSHA 420lbs
Static Strength	3000 Pounds for 1 Min
Dynamic Performance	<ul style="list-style-type: none"> • Max Arrest force less than 1800lbs. • Average Arrest force less than 1350lbs • Arrest distance less than 42 inches
Length	50 ft
Item Weight	16lbs